



ESDIAL LASER DISTANCE METER MOUNTING PLATFORM



- **Mounting Platform**
- **For use with the ELDP and MDHD Family of Laser Distance Meters.**
- **Adjustable Mounting Platform, provides Vertical and Horizontal Axis Adjustments.**

Features

- Heavy Duty Durable Design
- Adjustable Mounting Platform, providing Vertical and Horizontal Axis Adjustments.

- Additional Secondary Environmental Enclosures are available including air purged, and water cooled.

ELDP & MDHD Product Family

- ELDP10 for measurements to a reflector panel at distances over 80M or to natural surfaces up to 20M.
- The MDHD20HT is designed for measurements off of a red hot surface up to 1 4 0 0 °C at distances up to 20M.
- MDHD100 for measurements to a reflector panel at distances up to 800M or to natural surfaces up to 155M.
- MDHD600 for measurements to a reflector panel at distances up to 600M & Glass Prism reflectors up to 1200M.

Typical Applications

- Crane applications in areas where Vertical and Horizontal Axis Adjustments are required.
- Any Laser Distance Meter application in areas where Vertical and Horizontal Axis Adjustments are required.

Description

The ESDIAL Laser Distance Meter Mounting Platform provides an additional 20mm Vertical Axis Adjustment and a 20° Horizontal Axis Adjustment during alignment.

MODULOC Technology - The Total Laser Solution

MODULOC Control Systems Ltd.

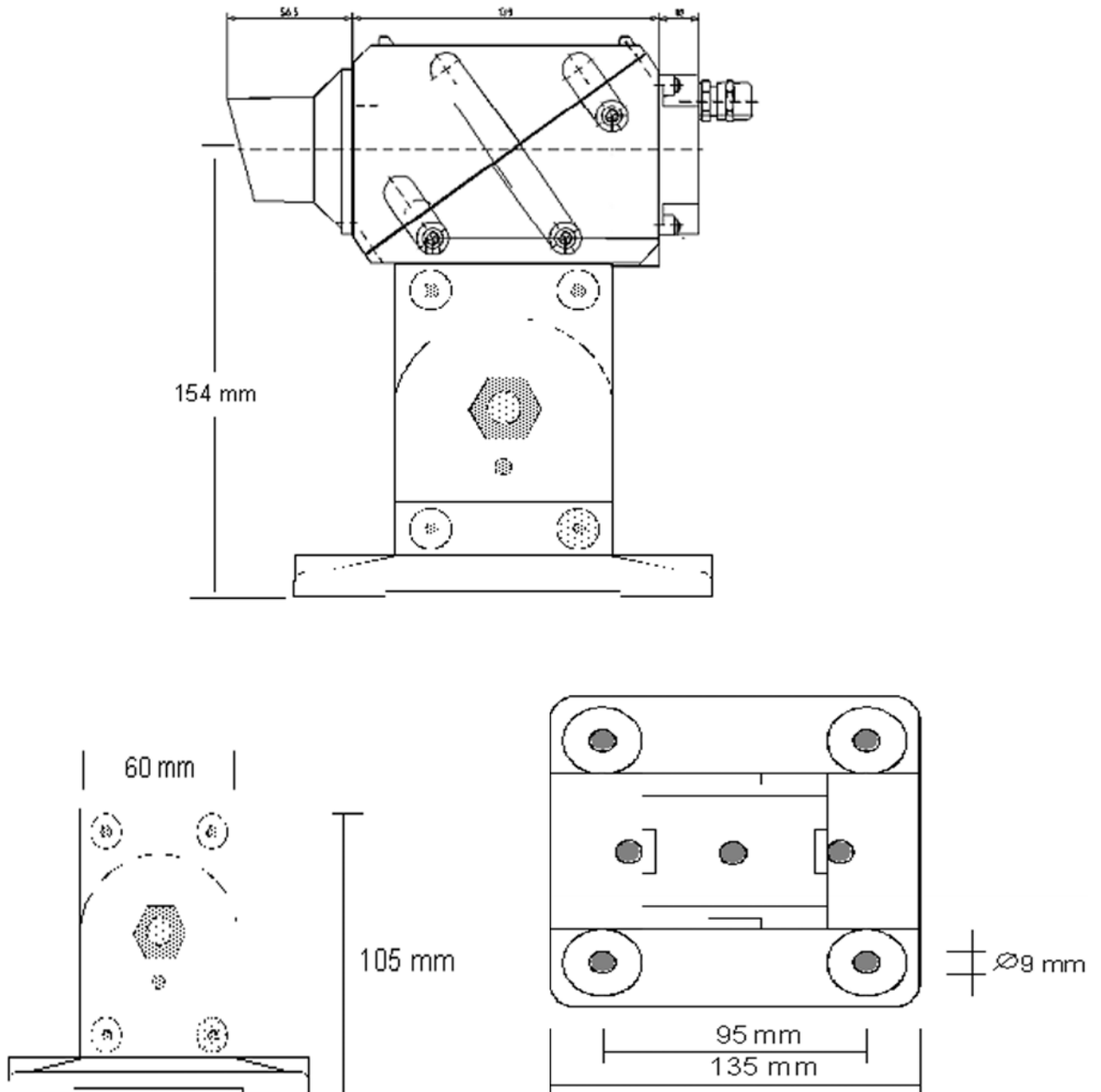
Wheathamstead, Hertfordshire, AL4 8SB United Kingdom
Phone: +44 (0)845 873 6501 FAX: +44 (0)158 283 1980
E-Mail: sales@moduloc-intl.com Website: www.moduloc-intl.com

MODULOC Control Systems, Inc.

500 Garden City Drive. - Suite 2B, Monroeville, PA 15146 USA
Phone: 412-824-1260 FAX: 412-824-8890
E-Mail: sales@moduloc-usa.com Website: www.moduloc-usa.com

ESDIAL Dimensional Info

Weight: 2.2 kg (without the LDM)



MODULOC Technology - The Total Laser Solution

MODULOC
Control Systems

Your Local Sales Representative:

We reserve the right to alter specifications without prior notice. Specifications without tolerances are typical values.



Bulletin MC-ESDIAL-09-01
January 2009