



Part No. F18-03-SK00 Air Line Particulate Filter



Features

- Standard 5 Micron Filtration
- High Flow Capacities
- 3/8" NPT / BSPP-G Over-port
- Quick-disconnect Bowl
- Bowl Guard
- Light Weight
- Barbed Manual Drain Connection with Pipe-away
- Unique deflector system removes water and heavy contaminants by creating a swirling air system inside of the bowl.
- Depth-style elements remove impurities down to 5 microns while allowing high flow rates. Liquids are removed through a manual drain.

General Description

Modular Air Line Filter, Inlet/Outlet NPT 3/8 Inch, Maximum Pressure 150 PSI, Maximum Temperature 125 Degrees Fahrenheit, Air Flow 98 CFM, Bowl Size 4.09 Ounces, Bowl Material Polycarbonate, Height 7.40 Inches, Width 2.36 Inches, With Bowl Guard, Compact 18 Series

Specifications	
Port Size	3/8" NPT / BSPP-G
Flow Capacity	44 SCFM (20,3 dm ³ /s)
Maximum Supply Pressure	150 PSIG (10,3 bar)
Pressure drop	3 PSID (0,2 bar).
Standard Filtration	(B) 0.5, Micron ppm wt
Useful Retention	1.72 oz (50,9 cm ³)
Weight	1.1lb. (0,5kg)
Operating Temperature	32° to 125°F (0° to 52°C)

MODULOC Technology - The Total Sensor Solution

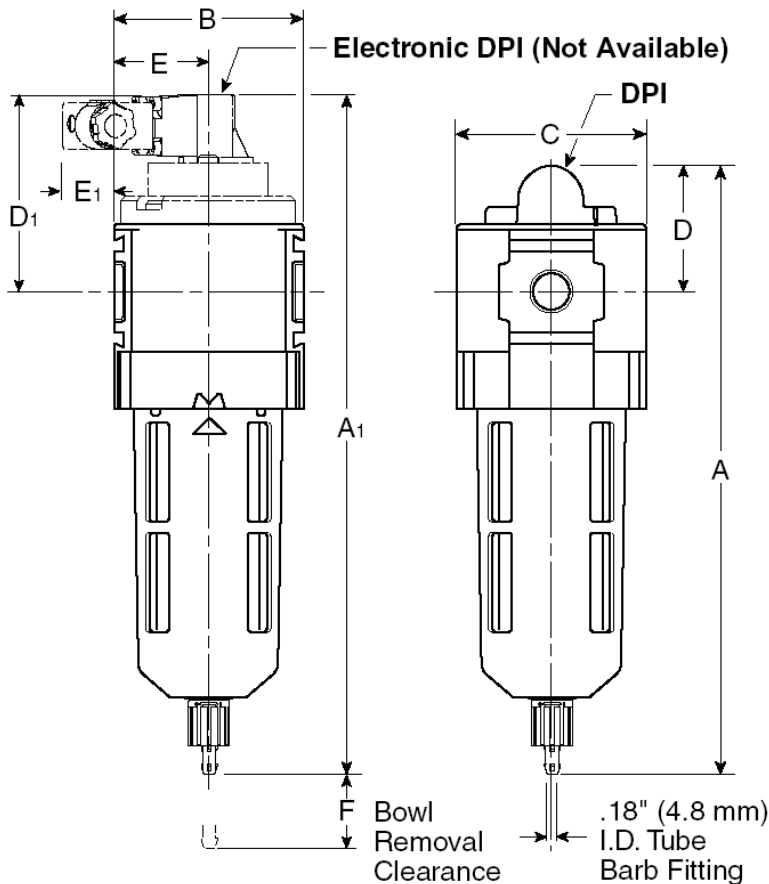
MODULOC Control Systems Ltd.

Wheatthamstead, Hertfordshire, AL4 8SB United Kingdom
 Phone: +44 (0)845 8736501 FAX: +44 (0)1582 831980
 E-Mail: sales@moduloc-intl.com Website: www.moduloc-intl.com

MODULOC Control Systems, Inc.

500 Garden City Drive. - 2B, Monroeville, PA 15146 USA
 Phone: 412-824-1260 FAX: 412-824-8890
 E-Mail: sales@moduloc-usa.com Website: www.moduloc-usa.com

Dimensions

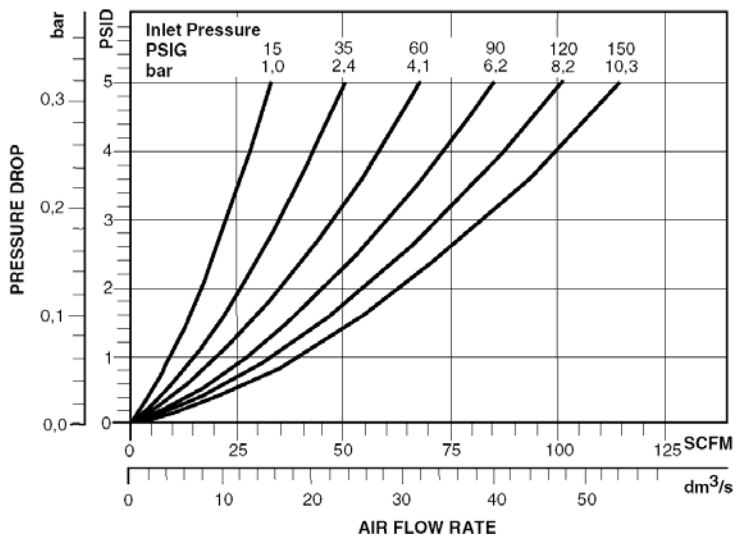


Dimensions inches (mm)	
A	7.9 (200)
A ₁	Not Applicable
B	2.36 (60)
C	2.36 (60)
D	1.9 (48)
D ₁	Not Applicable
E	1.18 (30)
E ₁	Not Applicable
F	1.6 (41)

Available Accessories

- Automatic Mechanical Drain Part No. GRP-95-973
- Replacement Filter Element Part No. FRP-96-639
- Wall Bracket Part No. GPA-96-604

Note: Should not be located in areas subject to direct sunlight, direct impact, or temperature outside rated range. Incompatible with chlorinated hydrocarbons, ketones, esters, and certain alcohols. Not for use in air systems where compressors are lubricated with fire-resistant fluids such as phosphate ester or diester. Should not be used where strong acids or bases are present or in salt-laden atmospheres.



Materials of Construction	
Body	Zinc
Body Cap	ABS
Bowl	Polycarbonate
Filter Element	Type "B", Borosilicate Cloth
Seals	Nitrile

"M" Series Coalescing Filters, with Type "B" 0.5 micron elements:

All Type "M" Oil Removal (Coalescing) Filters with Type "B" 0.5 micron elements **exceed ISO Class 2** for maximum particle size and concentration of solid contaminants, and exceed Class 3 on maximum oil content (ppm/wt).

MODULOC Technology - The Total Sensor Solution

MODULOC
Control Systems

We reserve the right to alter specifications without prior notice. Specifications without tolerances are typical values.

Your Local Sales Representative:



Bulletin F18-03-SK00-09-01
January 2009