

# MODULOC *Control Systems*



**Part No. GRP-95-973 Pneumatic Auto Drain**



## **General Description**

Pneumatic Auto Drain, 15 to 250 PSI, 3/8 Inch Male NPT, For use with Part No. F18-03-SK00 Air Line Particulate Filter and Part No. M18-03-BK00 Oil Removal Coalescing Filter.

Note: Should not be located in areas subject to direct sunlight, direct impact, or temperature outside rated range. Incompatible with chlorinated hydrocarbons, ketones, esters, and certain alcohols. Not for use in air systems where compressors are lubricated with fire-resistant fluids such as phosphate ester or diester. Should not be used where strong acids or bases are present or in salt-laden atmospheres.

**MODULOC Technology - The Total Sensor Solution**

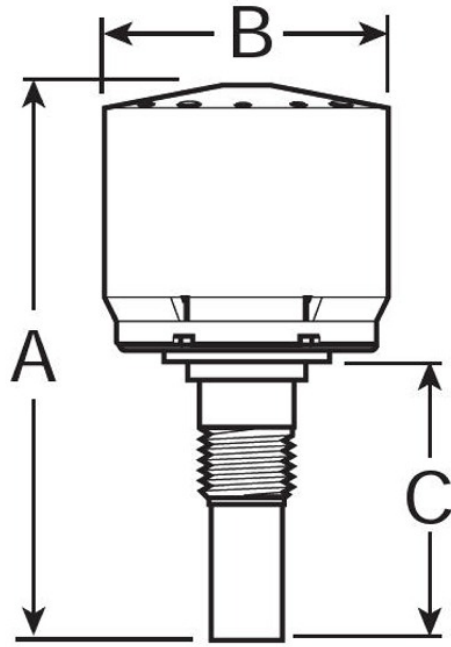
**MODULOC Control Systems Ltd.**

Wheatthamstead, Hertfordshire, AL4 8SB United Kingdom  
Phone: +44 (0)845 8736501 FAX: +44 (0)1582 831980  
E-Mail: sales@moduloc-intl.com Website: www.moduloc-intl.com

**MODULOC Control Systems, Inc.**

500 Garden City Drive. - Suite 2B, Monroeville, PA 15146 USA  
Phone: 412-824-1260 FAX: 412-824-8890  
E-Mail: sales@moduloc-usa.com Website: www.moduloc-usa.com

**Dimensions**



Use 3/8"  
or 10mm  
Flex Tubing

Dimensions inches (mm)	
A	2.93 (74.4)
B	1.47 (37.3)
C	1.17 (29.7)

**MODULOC Technology - The Total Sensor Solution**

**MODULOC**  
Control Systems

We reserve the right to alter specifications without prior notice. Specifications without tolerances are typical values.

Your Local Sales Representative:



Bulletin GRP-95-973-09-01  
January 2009