



Part No. M18-03-BK00 Oil Removal Coalescing Filter



Features

- High-efficiency Removal of Water, Oil Aerosols, and Solid Particulate Contaminants Down to 0.01 ppm / wt with Minimum Pressure Drop
- Modern Design and Appearance
- Light Weight
- High Flow Capacity
- Bowl Guard
- Quick-disconnect Bowl
- Eliminate 99.9% or more of water and oil liquid aerosols and submicron particles.
- Uses: Provide oil-free air for pneumatic instrumentation.

General Description

Coalescing Filter, Compact Oil Removal, 3/8 NPT, Bowl Size 4.09 Ounces, Polycarbonate with Guard, Air Flow 18 CFM, Maximum Pressure 150 PSI, Maximum Temperature 125 Degrees Fahrenheit, Height 8.20 Inches, Width 2.36 Inches, 0.5 Micron, Modular Design.

Specifications	
Port Size	3/8" NPT / BSPP-G
Flow Capacity	44 SCFM (20,3 dm ³ /s)
Maximum Supply Pressure	150 PSIG (10,3 bar)
Pressure drop	3 PSID (0,2 bar).
Standard Filtration	(B) 0.5, Micron ppm wt
Useful Retention	1.72 oz (50,9 cm ³)
Weight	1.1lb. (0,5kg)
Operating Temperature	32° to 125°F (0° to 52°C)

MODULOC Technology - The Total Sensor Solution

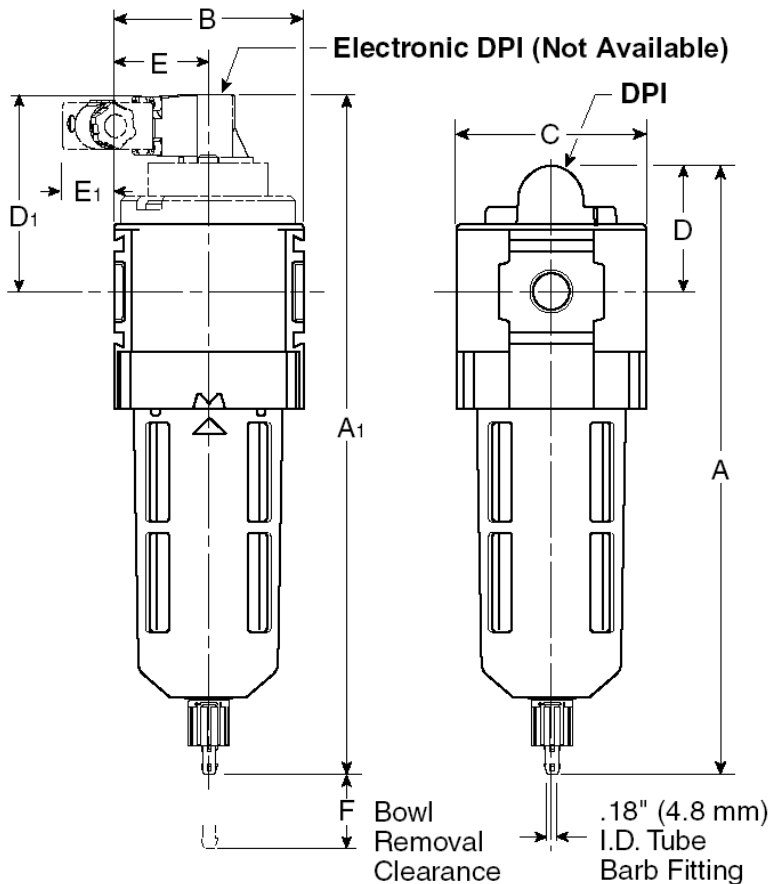
MODULOC Control Systems Ltd.

Wheatthamstead, Hertfordshire, AL4 8SB United Kingdom
 Phone: +44 (0)845 8736501 FAX: +44 (0)1582 831980
 E-Mail: sales@moduloc-intl.com Website: www.moduloc-intl.com

MODULOC Control Systems, Inc.

500 Garden City Drive. - Suite 2B, Monroeville, PA 15146 USA
 Phone: 412-824-1260 FAX: 412-824-8890
 E-Mail: sales@moduloc-usa.com Website: www.moduloc-usa.com

Dimensions

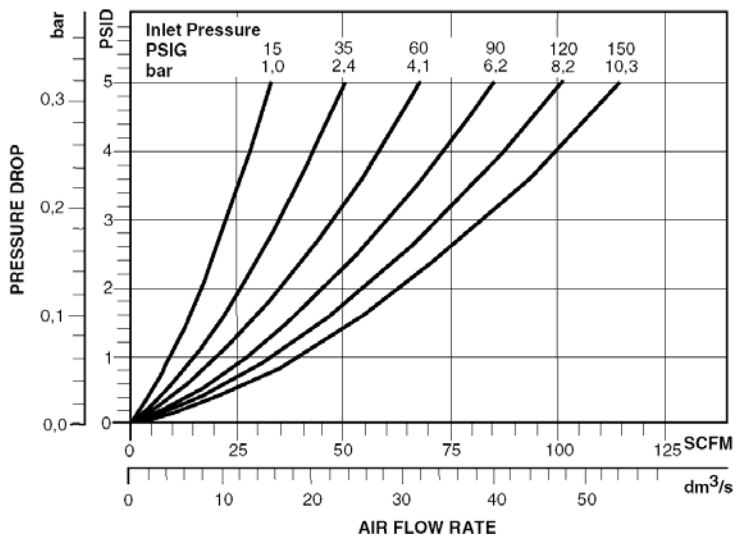


Dimensions inches (mm)	
A	7.9 (200)
A ₁	Not Applicable
B	2.36 (60)
C	2.36 (60)
D	1.9 (48)
D ₁	Not Applicable
E	1.18 (30)
E ₁	Not Applicable
F	1.6 (41)

Available Accessories

- Automatic Mechanical Drain Part No. GRP-95-973
- Replacement Filter Element Part No. MSP-96-647
- Wall Bracket Part No. GPA-96-604

Note: Should not be located in areas subject to direct sunlight, direct impact, or temperature outside rated range. Incompatible with chlorinated hydrocarbons, ketones, esters, and certain alcohols. Not for use in air systems where compressors are lubricated with fire-resistant fluids such as phosphate ester or diester. Should not be used where strong acids or bases are present or in salt-laden atmospheres.



Materials of Construction

Body	Zinc
Body Cap	ABS
Bowl	Polycarbonate
Filter Element	Type "B", Borosilicate Cloth
Seals	Nitrile

"M" Series Coalescing Filters, with Type "B" 0.5 micron elements:

All Type "M" Oil Removal (Coalescing) Filters with Type "B" 0.5 micron elements **exceed ISO Class 2** for maximum particle size and concentration of solid contaminants, and exceed Class 3 on maximum oil content (ppm/wt).

MODULOC Technology - The Total Sensor Solution

MODULOC
Control Systems

We reserve the right to alter specifications without prior notice. Specifications without tolerances are typical values.

Your Local Sales Representative:



Bulletin M18-03-BK00-09-01
January 2009