



SERIES 9000 REMOTE LENS - TYPE Q1 HIGH TEMPERATURE QUARTZ ROD



- **High Temperature Quartz Rod Lens**
- **Shielded 1° Spot Field of View**
- **800°C Ambient rating and 1000°C Radiant rating.**
- **Robust Stainless Steel Lens Shroud with protective nozzle and air purge facility.**

General Description

The Type Q1 High Temperature Quartz Rod lens is specifically engineered for mounting in exceptionally high ambient temperatures very close to the product line, adjacent to furnaces, caster strands, hot slabs, blooms or billets. It withstands 800°C ambient temperature and 1000°C radiant heat.

The Q1 Lens is provided in a Model ACP-1199 robust stainless steel lens shroud with protective nozzle and air purge facility. The shroud incorporates a double nozzle shielding with internal air purge inlet to prevent the ingress of contaminate in the worst installation point. Hence, it is well suited for mounting under the roller table and close to the product.

The Q1 Lens should not be mounted far from the pass line as it's field of view is restricted and lens arrangement is not suited for this usage.

MODULOC[®] Technology - The Total Sensor Solution

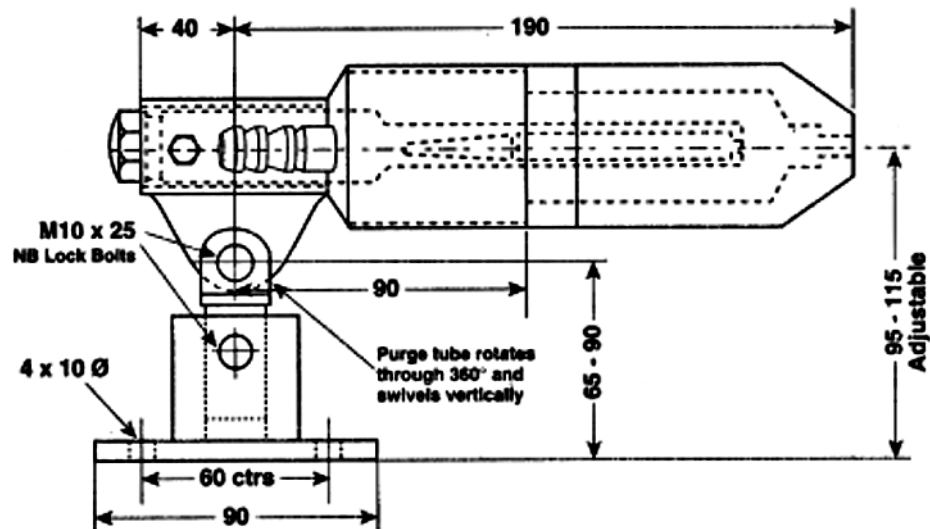
MODULOC[®] Control Systems Ltd.

St. Albans, Hertfordshire AL2 1JG United Kingdom
Phone: +44 (0)1727 821313 FAX: +44 (0)1727 826804
E-Mail: sales@moduloc-intl.com Website: www.moduloc-intl.com

MODULOC[®] Control Systems, Inc.

2808 Broadway Blvd. - Suite 201B, Monroeville, PA 15146 USA
Phone: 412-824-1260 FAX: 412-824-8890
E-Mail: sales@moduloc-usa.com Website: www.moduloc-usa.com

Dimensions



General Specifications

Shroud Housing:	Stainless Steel
Housing Rating:	IEC IP65, DIN, 89011
Fittings:	Brass
Lens Rod:	Quartz
Field of View	1°
Scanned Area at 1 meter	20mm
Ambient Temperature Rating:	-20°C to +800°C
Radiant Temperature Rating:	1000°C Maximum
Air Pressure Requirements:	5 cu ft./min at 15 PSI

MODULOC[®] Technology - The Total Sensor Solution

MODULOC[®]
Control Systems

We reserve the right to alter specifications without prior notice. Specifications without tolerances are typical values.

Your Local Sales Representative:



Bul. MC-MD9000-Q1-005
September 2005