



## SERIES 9000 HOT METAL DETECTOR LENS HOLDERS & MOUNTING HARDWARE

Used in conjunction with Model 9000 Lenses, these lens holders and mounting hardware.

### Type MD9000 - BPA-27 Air Purged Standard Tubular Lens Mounting Block.

- Aluminium, Oven baked black coating.
- Provides Air Purging and Air Cooling.
- Mounting Block offers convenient and precise mounting of tubular lenses.
- Gives an extra degree of protection from impact loads to the lens housing and allows removal of the lens by a simple clamp bolt.



BPA-27 with LSS-36

### Type MD9000 - PST-01(1°) & -07 (2°, 4°, 7°) Air Purged Tubular Lens Holder.

- Stainless steel construction for long life in harsh environments.
- Provides precise alignment of the lens to the target with air purge capabilities.
- The air purge inlet is a standard tubing connection.



PST-07

This purged mount is particularly useful in environments where steam and particulates must be cleared from the field of view with an air purge.

### Type MD9000 - PWST-01( 1°) & -07 (2°, 4°, 7°) Water Cooled and Air Purged Tubular Lens Holders

Constructed as the Purged Lens Mounting Bracket with the addition of a cooling chamber which may be used with a water supply or an air supply instead of water (i.e. air cooling). This bracket is ideal for harsh installations.



PWST-07

### Type MD9000 - LSS-36 Universal Swivel/Lift Mounting Stand.

The universal swivel mount is constructed of steel and cadmium plated. This mount offers precise alignment of the detector to the target with 360° circular rotation, 25 mm height adjustment and 120° vertical swivel of tilt. Includes hardware for mounting sensors or lens holder.



LSS-36

### Type MD9000 - SLB-A Standard "L" Mounting Bracket.

The SLB-A "L" bracket is constructed of steel and cadmium plated and it is used for mounting the cast housings, the tubular lens mounting blocks and lens holders. It allows for precise tilting of ±45° from horizontal. The bracket includes all mounting hardware for mounting sensor or lens holder.



SLB-A

## MODULOC Technology - The Total Sensor Solution

MODULOC Control Systems Ltd.

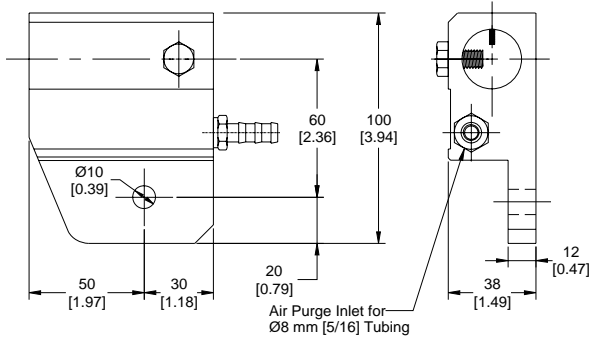
Wheathamstead, Hertfordshire, AL4 8SB United Kingdom  
Phone: +44 (0)845 8736501 FAX: +44 (0)1582 831980  
E-Mail: sales@moduloc-intl.com Website: www.moduloc-intl.com

MODULOC Control Systems, Inc

500 Garden City Drive . - Suite 2B, Monroeville, PA 15146 USA  
Phone: 412-824-1260 FAX: 412-824-8890  
E-Mail: sales@moduloc-usa.com Website: www.moduloc-usa.com

## BPA-27 Specifications

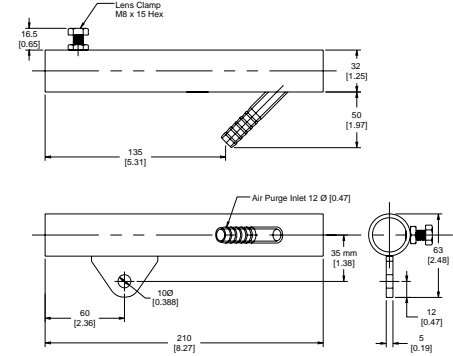
**Material:** Aluminum, Oven baked black coating.



Dimensions are in mm's [inches]

## PST-01 Specifications

**Material:** Stainless Steel



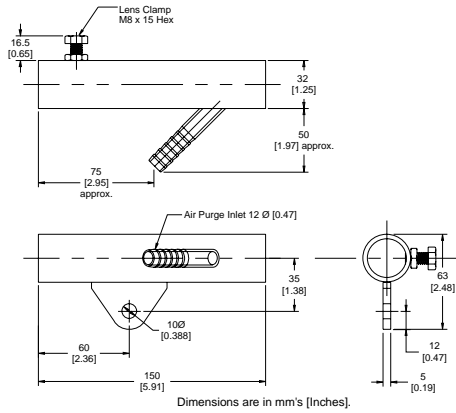
Dimensions are in mm's [Inches].

## PWST-01 Specifications

**Material:** Stainless Steel

## PST-07 Specifications

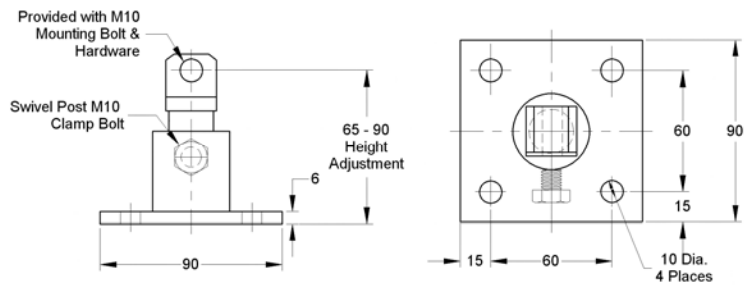
**Material:** Stainless Steel



Dimensions are in mm's [Inches].

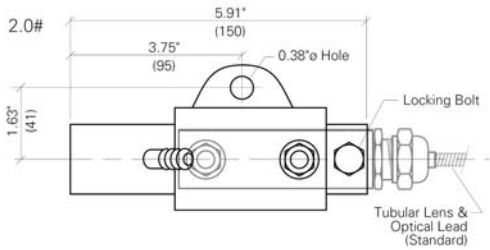
## LSS-36 Specifications

**Material:** Steel, Cadmium Plated



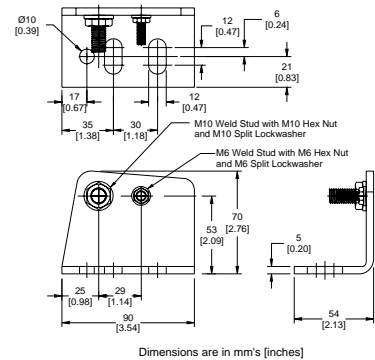
## PWST-07 Specifications

**Material:** Stainless Steel



## SLB-A Specifications

**Material:** Steel, Cadmium Plated



Dimensions are in mm's [inches]

# MODULOC Technology - The Total Sensor Solution

**MODULOC**  
Control Systems

We reserve the right to alter specifications without prior notice. Specifications without tolerances are typical values.

Your Local Sales Representative:



Bulletin MC-MD9000M-09-01  
January 2009