



PART NO. PS-5R-B24 15 WATT 24VDC POWER SUPPLY



Features

- Fused AC Input Voltage: 85 - 264 VAC, 47 – 63 HZ
- DC Output Voltage: 24VDC, 0.6A
- Operating Temperature Range: -10° to 60°C (14° to 140°F)
- Power factor correction (EN61000-3-2)
- Over-current protection, auto reset
- Over-voltage protection, shut down
- Output voltage adjust (+ / -10%)
- Unique spring-up finger-safe terminals, IP20
- Din Rail or Surface Mount
- Approvals: CE Marked, TÜV, c-UL, UL 508, LVD: EN60950:2000, EMC: Directive, EN50081-2, EN50082-2 & EN61000-6-2

General Description

The PS-5R-B24 DC 15 Watt Switching Power Supply has worldwide approvals, spring-up screw terminals, fused inputs and overload protection. It is DIN Rail or direct surface mountable and has a universal (85 - 264V AC) voltage input. It has an -10 to +40C operating temperature range with no derating., and up to 60°C with 50% derating. . It is only 45 mm wide x 90 mm high x 75 mm deep.

Universal Input Power: The applied input power has a range of 85-264VAC without the use of jumpers or slide switches. This makes the PS-5R-B24 suitable for use anywhere in the world.

Output Channel: The output comes with overload protection that avoids damaging the power supply and the spring-up, fingersafe, screw terminals add a level of safety and ease for the user.

Overcurrent Protection: When the output current exceeds 105% of the rated current, overload protection is triggered, and the output voltage starts decreasing. When the output current returns within the rated range, the overload protection function is automatically cleared.

Overvoltage Protection: When the output voltage of the power supply rises to 120% or more of the rated value, the output will shut off. To restore power, only manual reset is available which is an advantage in troubleshooting.

DC ON Indicator: The indicator turns on when the unit is powered up. This is a convenient way to know when the power supply is receiving power.

Output Voltage Adjustment: The output voltage can be easily adjusted within + 10% of the rated voltage.

Fingersafe, Spring-up Screw Terminals: Do not worry about losing screws or getting an inadvertent shock from a terminal. The terminals are captive spring-up screws, which makes using them as easy as pushing a screw down and tightening it. They are shock and vibration resistant, and work with ring lugs, fork connectors or stripped wire connections. The terminals are rated IP20 (when tightened) meaning they are recessed to keep fingers and objects from touching the input contacts.

Long Life Expectancy: The PS-5R-B24 is very reliable, with a life expectancy of 70,000 hrs. (minimum) or longer, depending on usage.

Ventilation Grill: Provides cooling for the power supply and prevents small objects from falling into the power supply circuitry.

Temperature Derating: The PS-5R-B24 is listed to UL508, which allows operation at 100% capacity inside a panel.

MODULOC Technology - The Total Sensor Solution

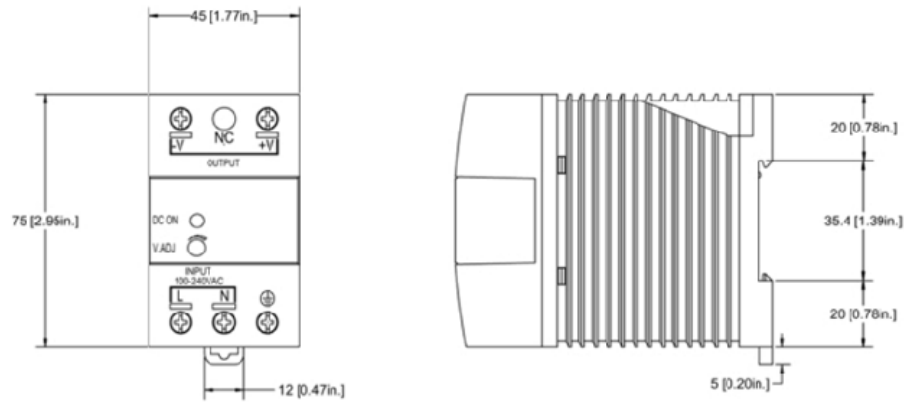
MODULOC Control Systems Ltd.

Wheatthamstead, Hertfordshire, AL4 8SB United Kingdom
Phone: +44 (0)845 8736501 FAX: +44 (0)1582 831980
E-Mail: sales@moduloc-intl.com Website: www.moduloc-intl.com

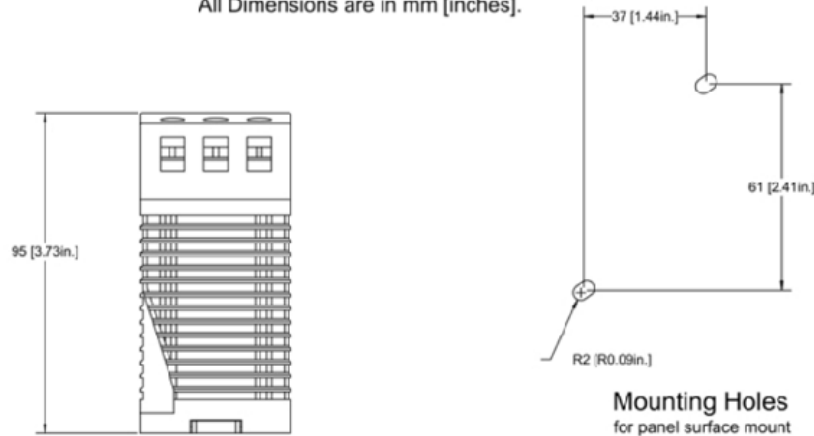
MODULOC Control Systems, Inc.

500 Garden City Drive. - Suite 2B, Monroeville, PA 15146 USA
Phone: 412-824-1260 FAX: 412-824-8890
E-Mail: sales@moduloc-usa.com Website: www.moduloc-usa.com

Dimensions



All Dimensions are in mm [inches].



Mounting Holes
for panel surface mount

Specifications

Output Capacity	15W	Output Ripple Voltage	2% peak to peak maximum (including noise)
Input Voltage	85 to 264V AC (single-phase, 2-wire)	Overcurrent Protection	105% or more, auto reset
Input Current (typical)	100VAC, 0.3A	Overvoltage Protection	120% min. (zener limiting)
Input Internal Fuse Rating	2A	Operation Indicator	LED (green)
Inrush Current (cold start)	50A maximum (at 200V AC)	Dielectric Strength	Between Input and Ground: 2000 V AC, 1 minute Between input and output: 3000V AC, 1 minute; Between output and ground: 500V AC, 1 minute.
Input Leakage Current (no load)	0.75 mA maximum (60 Hz)		
Typical Efficiency	79%		
Output Voltage	24VDC	Insulation Resistance	Between Input & Output Terminals: 100 MΩ Min
Output Current Rating	0.6A	Operating Temperature	-10° to 60°C (14° to 140°F)*
Output Voltage Adjustment ±10%	(V. ADJ control on front)	Storage Temperature	-25 to 85°C (-13 to +185°F)
Output Holding Time	20ms minimum (at rated input and output)	Operating Humidity	20 to 90% relative humidity (no condensation)
Output Starting Time	200ms maximum	Vibration Resistance	Frequency 10 to 55Hz, 45 m/S2
Output Rise Time	200ms maximum (at rated input and output)	Shock Resistance	300m/s2 (30G) 3 times each in 6 axes
Line Regulation	0.4% maximum	Terminal Screw	M3.5 slotted-Phillips head screw (screw terminal type)
Load Regulation	1.5% maximum	IP protection	IP20 fingersafe
Temperature Regulation	0.05% maximum	Weight	170g (0.38lb.)

* = with 50% output derating from >40°C to 60°C.

MODULOC Technology - The Total Sensor Solution

MODULOC
Control Systems

We reserve the right to alter specifications without prior notice. Specifications without tolerances are typical values.

Your Local Sales Representative:



Bulletin MC-PS-5R-B24-09-01
January 2009